

LED HIGH MAST LIGHT



By installing LED High Mast lighting you will save on your energy bills and reduce costs. XTREME LED High Mast Light are simply the best and extreme performer in the market.

- ✓ Lumileds or Seoul Chip, high CRI
- ✓ Input Voltage 220-240 VAC
- ✓ Energy saving, long lifespan
- ✓ No UV or IR in the beam
- ✓ Easy to install and operate
- ✓ Instant start, NO Flickering

155lm/w

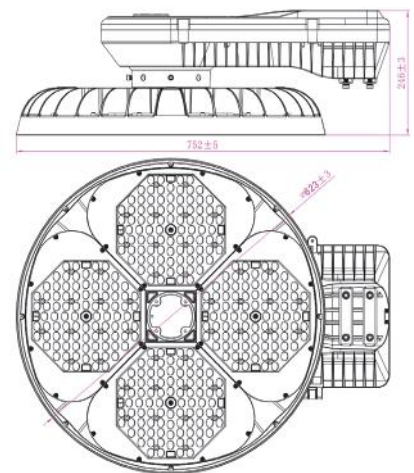
MARKET LEADING PERFORMANCE

116250
LUMENS

5 YEAR
PRODUCT
WARRANTY

DIMENSIONS

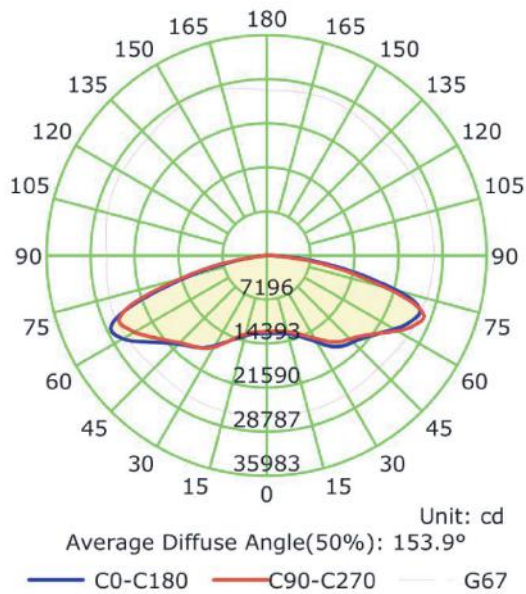
LED High Mast Light: 752*624*248 mm



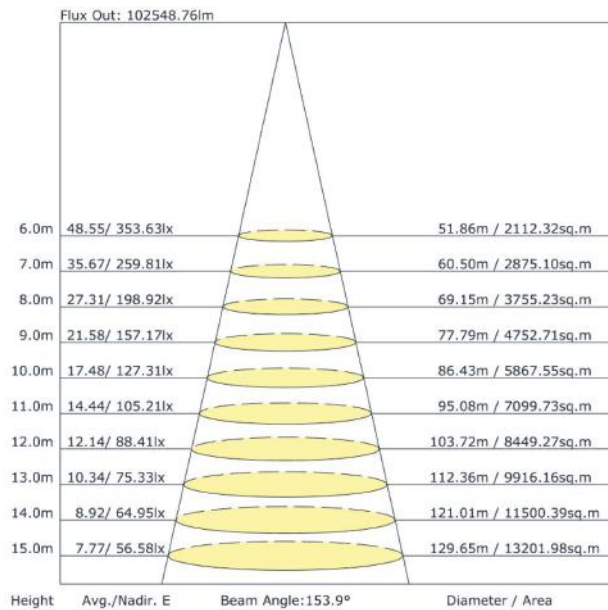
| SPECIFICATIONS | HM200W | HM300W | HM450W | HM500W | HM600W | HM750W |
|------------------------|---|-----------------------------------|-----------------------------------|-----------------------------------|-----------------------------------|-----------------------------------|
| Wattage | 200W | 300W | 450W | 500W | 600W | 750W |
| Lumens Output | 29000-32000LM | 42000-46500LM | 63000-69750LM | 72500-80000LM | 84000-93000LM | 72500-80000LM |
| Lumen Efficacy | 145-160 LM/W | 140-155 LM/W | 140-155 LM/W | 145-160 LM/W | 140-155 LM/W | 140-155 LM/W |
| Optional Viewing Angle | Type 2 / Type 3 / Type 4 / Type 5 | Type 2 / Type 3 / Type 4 / Type 5 | Type 2 / Type 3 / Type 4 / Type 5 | Type 2 / Type 3 / Type 4 / Type 5 | Type 2 / Type 3 / Type 4 / Type 5 | Type 2 / Type 3 / Type 4 / Type 5 |
| LED Brand | LUMILEDS / SEOUL | | | | | |
| LED Type | SMD 5050 | | | | | |
| Cover | PC | | | | | |
| PF | >0.9 | | | | | |
| Color Temperature | 2700 - 6500 K | | | | | |
| EPA | 1.49ft ² | | | | | |
| Input Voltage | 220-240Vac 50/60Hz | | | | | |
| CRI | >70 | | | | | |
| Housing | Aluminium | | | | | |
| Housing Color | Black / Gray / Brown / Customized | | | | | |
| Storage Temperature | -40 °C TO 80 °C | | | | | |
| Optional Accessory | Photocell / Surge protector(20KV) / Field adjustable output (Optional 25%,40%,50%,60%,70%,80%,90%,100%) | | | | | |
| Warranty Time | 5 Years | | | | | |

LIGHT DISTRIBUTION TESTING PARAMETERS

Luminous Intensity Distribution Curve



The Average Illuminance Effective Figure



PACKAGE

Lamp Net Weight: 23.8 KG / PC

| Lamp Type | Carton Size | Qty / Carton | Gross Weight / Carton |
|-----------|----------------|--------------|-----------------------|
| Outer Box | 850*750*350 mm | 1PC | 28.0 KG |

