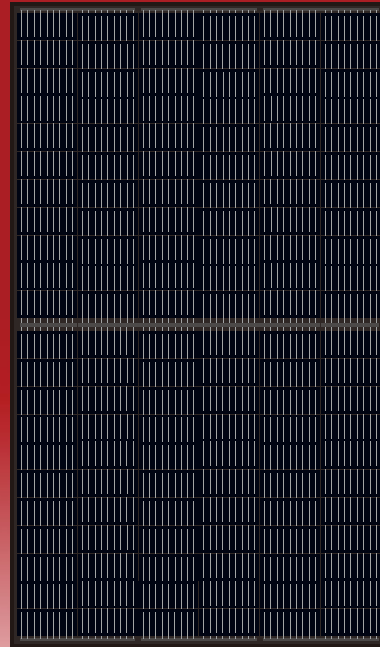


# JW-HT120N

N-type Bifacial High Efficiency Mono Silicon Half-Cell Single Glass Module

JW-HT120N-315    JW-HT120N-320  
 JW-HT120N-325    JW-HT120N-330  
 JW-HT120N-335    JW-HT120N-340



## 340W

Maximum Power Output

## 20.20%

Maximum Module Efficiency

## 0~+5W

Power Output Guarantee

Regarding 340W as an example



### Additional Power Generation Gain

At least 30-year product life, more than 5%- 25% additional power gain comparing with conventional module



### Lower LCOE

High power and 1500V system voltage, saving BOS cost



### Better Weak Illumination Response

Wide spectral response, higher power output even under low-light settings like smog or cloudy days



### Better Temperature Coefficient

Higher power generation under working conditions, thanks to passivating contact cell technology



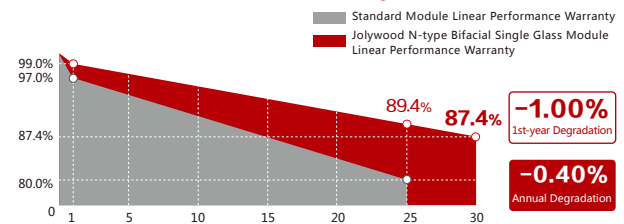
### Lighter Module Weight

Reduces weight by more than 20% compared to bifacial double glass module

## Jolywood Delivers Reliable Performance Over Time

- Leader of n-type bifacial technology
- Fully automatic facility and world-class technology
- Long term reliability tests
- 100% EL inspection ensuring defect-free modules

## Linear Performance Warranty



12 Years Product Material & Workmanship 30 Years Linear Performance Warranty

## Additional Insurance Backed by Munich Re



# JW-HT120N Series

## N-type Bifacial High Efficiency Mono Silicon Half-Cell Single Glass Module

### Electrical Properties | STC\*

Module Type	JW-HT120N-315	JW-HT120N-320	JW-HT120N-325	JW-HT120N-330	JW-HT120N-335	JW-HT120N-340
Testing Condition	Front Side	Front Side	Front Side	Front Side	Front Side	Front Side
Peak Power ( Pmax ) (W)	315	320	325	330	335	340
MPP Voltage ( Vmp ) (V)	33.5	33.8	34.1	34.4	34.7	35.1
MPP Current ( Imp ) (A)	9.42	9.48	9.54	9.60	9.66	9.70
Open Circuit Voltage ( Voc ) (V)	40.5	40.7	41.0	41.2	41.5	41.8
Short Circuit Current ( Isc ) (A)	9.91	9.96	10.01	10.07	10.12	10.17
Module Efficiency ( % )	18.71	19.01	19.31	19.61	19.90	20.20

\*STC: Irradiance 1000 W/m<sup>2</sup>, Cell Temperature 25°C, AM1.5  
The data above is for reference only and the actual data is in accordance with the practical testing  
\*Tolerance: Pmax±3%; Voc±4%; Isc±5%

### Electrical Properties | NOCT\*

Testing Condition	Front Side	Front Side	Front Side	Front Side	Front Side	Front Side
Peak Power ( Pmax ) (W)	240	243	246	250	253	257
MPP Voltage ( Vmp ) (V)	31.3	31.7	32.0	32.3	32.5	32.9
MPP Current ( Imp ) (A)	7.60	7.64	7.69	7.74	7.79	7.82
Open Circuit Voltage ( Voc ) (V)	38.6	38.9	39.2	39.4	39.7	40.0
Short Circuit Current ( Isc ) (A)	7.09	8.03	8.07	8.12	8.16	8.20

\*NOCT: Irradiance at 800 W/m<sup>2</sup>, Ambient Temperature 20°C, Wind Speed 1 m/s  
\*Tolerance: Pmax±3%; Voc±4%; Isc±5%

### Operating Properties

Operating Temperature ( °C )	-40°C~+85°C
Maximum System Voltage ( V )	1500V ( IEC )
Maximum Series Fuse Rating(A)	20
Power Tolerance	0~+5W
Bifaciality*	75%

\*Bifaciality=Pmaxrear ( STC ) /Pmaxfront ( STC ) , Bifaciality tolerance:±5%

### Temperature Coefficient

Temperature Coefficient of Pmax*	-0.320%/°C
Temperature Coefficient of Voc	-0.260%/°C
Temperature Coefficient of Isc	+0.046%/°C
Nominal Operating Cell Temperature (NOCT)	42±2°C

\*Temperature Coefficient of Pmax±0.03%/°C

### Mechanical Properties

Cell Type	158.75mm*79.375mm
Number of Cells	120pcs(12*10)
Dimension	1690mm*996mm*35mm(40mm)
Weight	19kg
Front Glass*	3.2mm
Frame	Anodized Aluminium
Junction Box	IP68 ( 3 diodes )
Length of Cable*	4.0mm <sup>2</sup> , 300mm
Connector	QC4.10-cd;05-8;PV-XT101.1/PV-KST4-EVO2/xy_UR;PV-KBT4-EVO2/xy_UR
Fire Safety	Class C

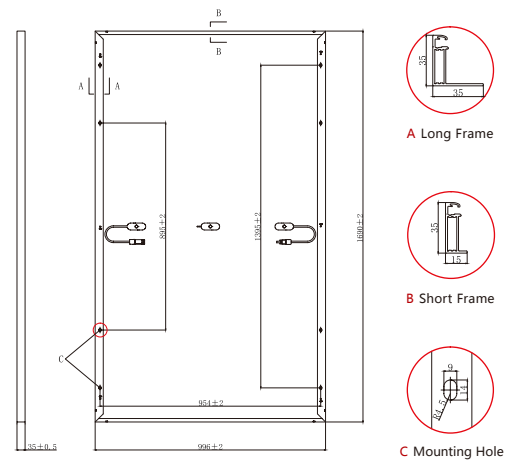
\*Tempered glass  
\*Cable length can be customized

### With Different Power Generation Gain ( regarding 340W as an example )

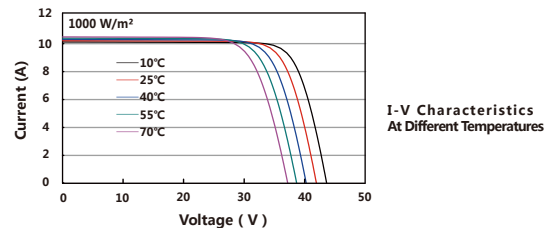
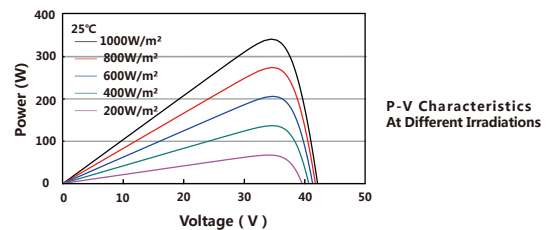
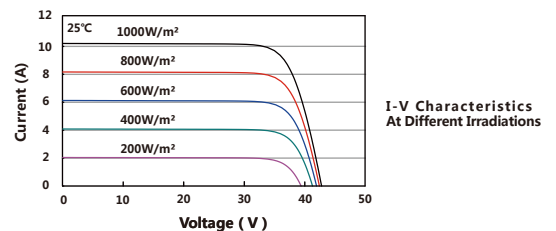
Power Gain (%)	Peak Power ( Pmax ) (W)	MPP Voltage ( Vmp ) (V)	MPP Current ( Imp ) (A)	Open Circuit Voltage ( Voc ) (V)	Short Circuit Current ( Isc ) (A)
5	353	35.1	10.05	41.8	10.54
10	366	35.1	10.40	41.8	10.90
15	378	35.2	10.75	41.9	11.27
20	391	35.2	11.10	41.9	11.63
25	404	35.2	11.46	41.9	12.01

\*Tolerance: Pmax±3%; Voc±4%; Isc±5%

### Engineering Drawing ( unit : mm )



### Characteristic Curves | HT120N-340



### Packaging Configuration

Packing Type	20'GP	40'GP	40'HQ
Piece/Pallet		30	
Pallet/Container	6	13	26
Piece/Container	180	390	780

\*The specification and key features described in this datasheet may deviate slightly and are not guaranteed. Due to ongoing innovation, R&D enhancement, Jolywood (Taizhou) Solar Technology Co., Ltd. reserves the right to make any adjustment to the information described herein at any time without notice. Please always obtain the most recent version of the datasheet which shall be duly incorporated into the binding contract made by the parties governing all transactions related to the purchase and sale of the products described herein.



Manufactured in China by  
**JOLYWOOD (TAIZHOU) SOLAR TECHNOLOGY CO.,LTD.**  
 Add : No.6 Kaiyang Rd., Jiangyan Economic Development Zone,  
 Taizhou, Jiangsu Province, China, 225500  
 TEL : +86 523 80612799 mkt@jolywood.cn

www.jolywood.cn

