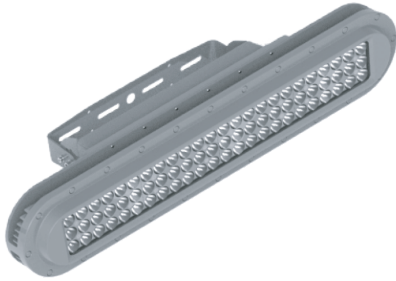


Important: Read all instructions prior to installation.

EPLL Series

Linear Explosion Proof Light



EPLL-50K40-UGN-110

Safety and Notes

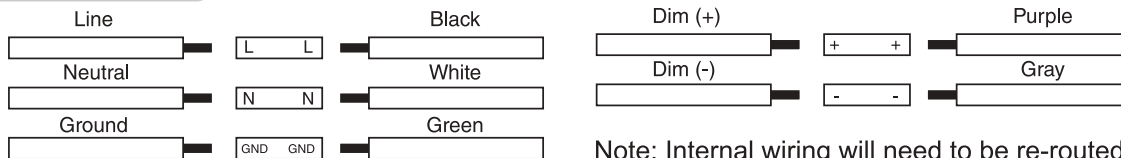
- Product should be installed by a certified electrician in accordance with applicable national, state, and local building and electrical codes. Proper earth grounding is required.
- To reduce the risk of electric shock, ensure that the main power source and circuit breakers are switched off before performing any installation or wiring procedures. If smoke is detected or a short circuit is present, switch off power immediately and notify relevant personnel.
- Avoid looking directly into the light when illuminated.
- Failure to properly support the fixture may result in damage or injury, for which the manufacturer does not assume responsibility. Check whether any accessories are correctly installed prior to installation.
- If the light is damaged during shipping, do not install and contact customer service immediately.

Specifications

| Model EPLL | -xK40-UGN-110 | -xK80-UGN-110 | -xK120-UGN-110 |
|-----------------------|--------------------------|-------------------|-------------------|
| Operating Temperature | -40°–122° F (-40°–50° C) | | |
| IP Rating | IP66 | | |
| Fixture Weight | 16.9 lb (7.7 kg) | 25.5 lb (11.6 kg) | 26.1 lb (11.8 kg) |

Check product label for specific electrical specifications related to installation. Improper installation will void warranty.

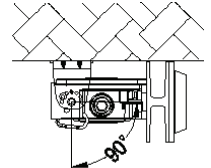
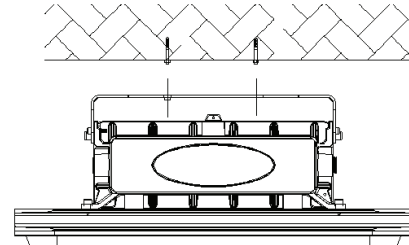
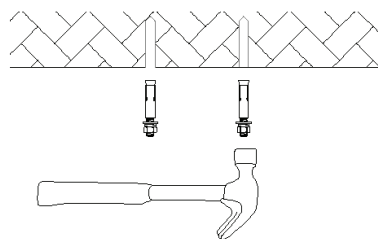
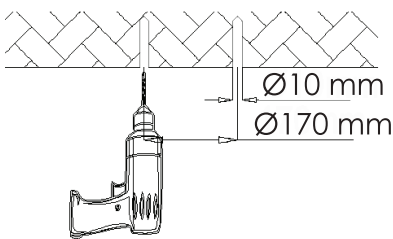
Wiring Diagram



Note: Internal wiring will need to be re-routed in order to utilize alternate wiring output ports on the fixture.

Yoke Mount Installation (Included)

1. Attach mount to light.
2. Drill 10 mm mounting holes 170 mm apart.
3. Hammer in mounting bolts into ceiling.
4. Fasten yoke mount/light assembly to mounting bolts until secure.
5. With supply power off, connect wiring.
6. Rotate light to desired angle and tighten adjustment screw.

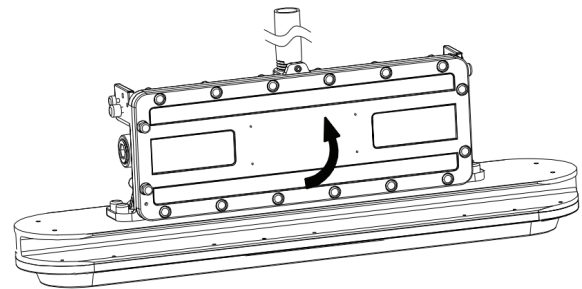
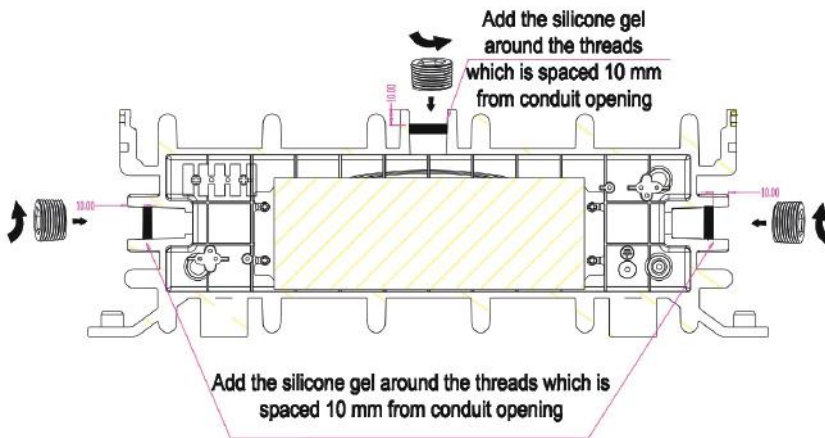
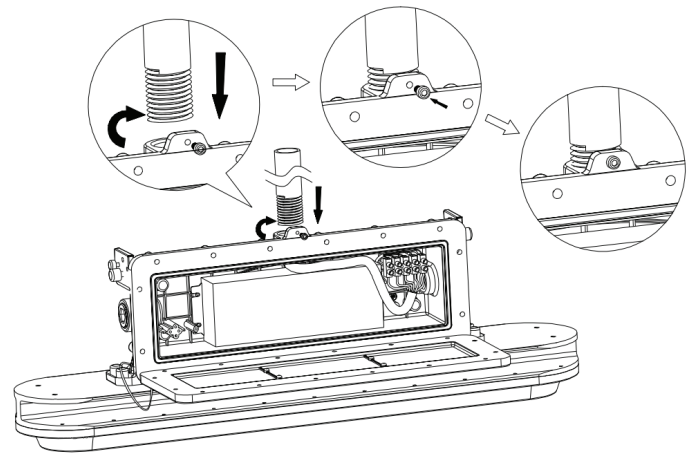
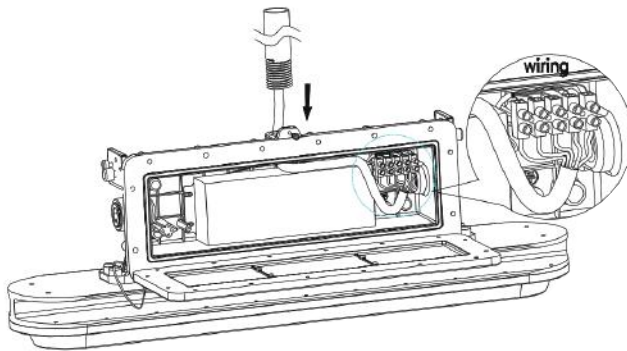
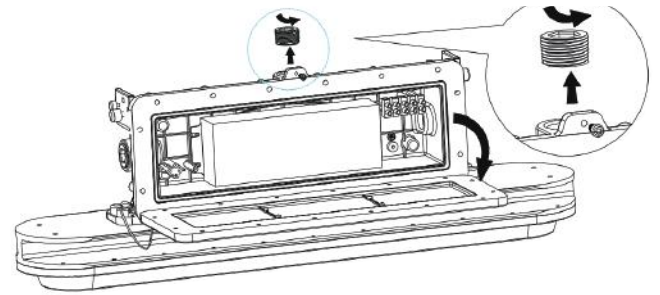


Important: Read all instructions prior to installation.

Linear Explosion Proof Light

Conduit Installation

1. Remove yoke mount if assembled.
2. Remove screws to open fixture.
3. Remove conduit plug.
4. Thread power wires through conduit hole. With supply power off, make all wiring connections.
5. Ensure silicone gel is added around the threads and securely install conduit pipe/nut. Note: All conduit openings must be closed by conduit or NPT nut.
6. Close access panel and re-install screws.

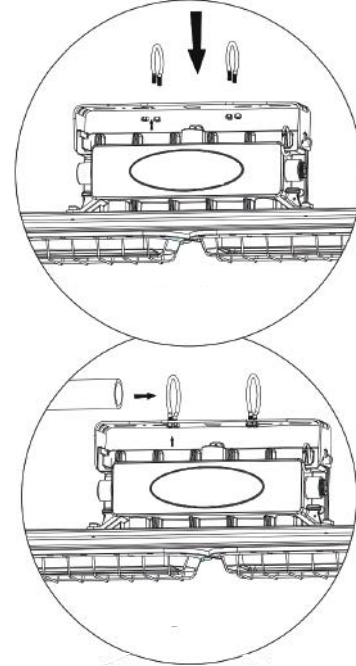


Important: Read all instructions prior to installation.

Linear Explosion Proof Light

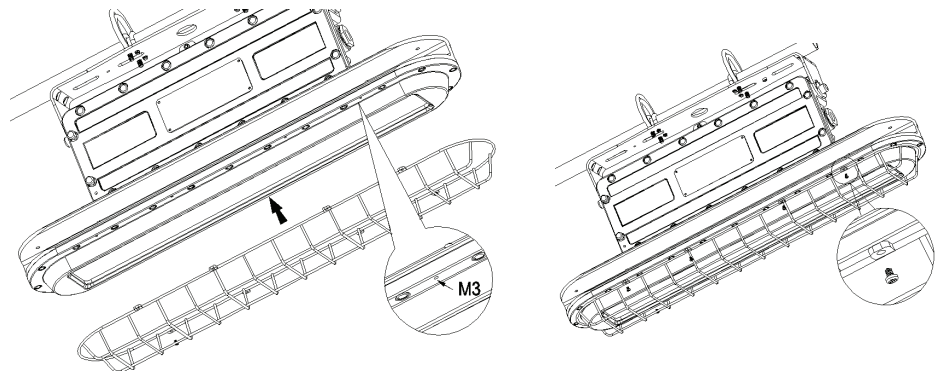
Pipe Mount Installation (EPLL-PMx) Installation

1. Remove yoke mount if assembled.
2. Measure diameter of pipe to select correct pipe mount hardware.
3. Install pipe mount rings and nuts.
4. Slide fixture over pipe.
5. With supply power off, make all wiring connections.



Wire Guard Installation (EPLL-WG)

1. Locate threaded holes on fixture and align wire guard to front of fixture.
2. Tighten screws to secure wire guard.



Safety Cable Installation

1. Latch safety cable carabiner to body of light.
2. Wrap safety cable around a sturdy, load-bearing structure and secure.

